

# TIMING BELT PULLEYS

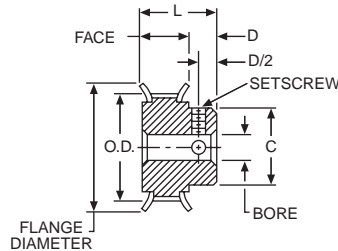
**5mm PITCH  
ALUMINUM**

**PA SERIES  
FOR 9mm WIDE BELTS**

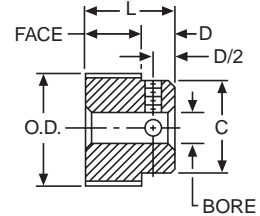


**ALUMINUM ALLOY—CLEAR ANODIZED  
COMPLETE WITH SETSCREWS**

**WITH FLANGE**



**WITHOUT FLANGE**



**STANDARD TOLERANCES**

DIMENSION		TOLERANCES
BORE	All	+0.001 - .000
O.D.	12-16 Grooves	+0.002 - .000
	17-32 Grooves	+0.003 - .000
	34-62 Grooves	+0.004 - .000
	72 Grooves	+0.005 - .000

ALL DIMENSIONS IN INCHES  
ORDER BY CATALOG NUMBER OR ITEM CODE

No. of Grooves	Pitch Dia.	O.D.	B	Face Width	C	D	L	Flange Dia.	Setscrew*	With Flange		Without Flange		
										Catalog Number	Item Code	Catalog Number	Item Code	
12	.752	.707	.250		7/16	1/4	51/64	7/8	#8-32	PA5012DF090	54677	PA5012NF090	54694	
13	.815	.770			1/2			15/16		PA5013DF090	54678	PA5013NF090	54695	
14	.877	.832			1/2			1		PA5014DF090	54679	PA5014NF090	54696	
15	.940	.895			9/16			1-1/16		PA5015DF090	54680	PA5015NF090	54697	
16	1.003	.958			9/16			1-3/32		PA5016DF090	54681	PA5016NF090	54698	
17	1.065	1.020			5/8			1-3/16		PA5017DF090	54682	PA5017NF090	54699	
18	1.128	1.083			11/16			1-1/4		PA5018DF090	54683	PA5018NF090	54700	
19	1.191	1.146			3/4			1-5/16		PA5019DF090	54684	PA5019NF090	54701	
20	1.253	1.208			13/16			1-3/8		PA5020DF090	54685	PA5020NF090	54702	
22	1.379	1.334			15/16			1-1/2		PA5022DF090	54686	PA5022NF090	54703	
24	1.504	1.459			1	1-5/8	PA5024DF090	54687		PA5024NF090	54704			
25	1.566	1.521			1	1-11/16	PA5025DF090	54688		PA5025NF090	54705			
26	1.629	1.584			35/64	1-1/16	1-3/4	PA5026DF090		54689	PA5026NF090	54706		
28	1.754	1.709				1-3/16	5/16	55/64		1-7/8	PA5028DF090	54690	PA5028NF090	54707
30	1.880	1.835				1-3/16	2	PA5030DF090		54691	PA5030NF090	54708		
32	2.005	1.960				1-1/4	2-1/8	PA5032DF090		54692	PA5032NF090	54709		
34	2.130	2.085				1-3/8	2-1/4	PA5034DF090		54693	PA5034NF090	54710		
36	2.256	2.211				.3125	—	—		—	—	PA5036NF090	54711	
38	2.381	2.336					—	—		—	—	—	PA5038NF090	54712
40	2.506	2.461					—	—		—	—	—	PA5040NF090	54713
44	2.757	2.712	—	—	—		—	—	PA5044NF090	54714				
48	3.008	2.963	.375	1-1/2	25/64	15/16	—	—	PA5048NF090	54715				
50	3.133	3.088		—	—	—	—	—	PA5050NF090	54716				
56	3.509	3.464		—	—	—	—	—	PA5056NF090	54717				
60	3.760	3.715		—	—	—	—	—	PA5060NF090	54718				
62	3.885	3.840		—	—	—	—	—	PA5062NF090	54719				
72	4.511	4.466		—	—	—	—	—	PA5072NF090	54720				

\*Pulleys with 12 and 13 grooves have one setscrew. All others have two at 90°.

# TIMING BELT PULLEYS

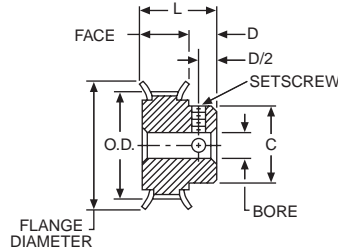
**5mm PITCH  
ALUMINUM**

**PA SERIES  
FOR 15mm WIDE BELTS**

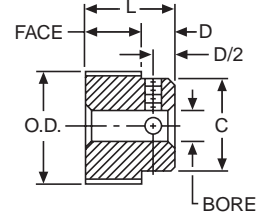


**ALUMINUM ALLOY—CLEAR ANODIZED†  
COMPLETE WITH SETSCREWS**

**WITH FLANGE**



**WITHOUT FLANGE**



**STANDARD TOLERANCES**

DIMENSION		TOLERANCES
BORE	All	+ .001 - .000
O.D.	12-16 Grooves	+ .002 - .000
	17-32 Grooves	+ .003 - .000
	34-62 Grooves	+ .004 - .000
	72 Grooves	+ .005 - .000

ALL DIMENSIONS IN INCHES  
ORDER BY CATALOG NUMBER OR ITEM CODE

No. of Grooves	Pitch Dia.	O.D.	B	Face Width	C	D	L	Flange Dia.	Setscrew*	With Flange		Without Flange						
										Catalog Number	Item Code	Catalog Number	Item Code					
12	.752	.707	.250	25/32	7/16	1/4	1-1/32	7/8	#8-32	PA5012DF150	54721	PA5012NF150	54738					
13	.815	.770			1/2			15/16		PA5013DF150	54722	PA5013NF150	54739					
14	.877	.832			1/2			1		PA5014DF150	54723	PA5014NF150	54740					
15	.940	.895			9/16			1-1/16		PA5015DF150	54724	PA5015NF150	54741					
16	1.003	.958			9/16			1-3/32		PA5016DF150	54725	PA5016NF150	54742					
17	1.065	1.020			5/8			1-3/16		PA5017DF150	54726	PA5017NF150	54743					
18	1.128	1.083			11/16			1-1/4		PA5018DF150	54727	PA5018NF150	54744					
19	1.191	1.146			3/4			1-5/16		PA5019DF150	54728	PA5019NF150	54745					
20	1.253	1.208			13/16			1-3/8		PA5020DF150	54729	PA5020NF150	54746					
22	1.379	1.334			15/16			1-1/2		PA5022DF150	54730	PA5022NF150	54747					
24	1.504	1.459			1			1-5/8		PA5024DF150	54731	PA5024NF150	54748					
25	1.566	1.521			1			1-11/16		PA5025DF150	54732	PA5025NF150	54749					
26	1.629	1.584	.3125	25/32	1-1/16	5/16	1-3/32	1-3/4	#8-32	PA5026DF150	54733	PA5026NF150	54750					
28	1.754	1.709			1-3/16			1-7/8		PA5028DF150	54734	PA5028NF150	54751					
30	1.880	1.835			1-3/16			2		PA5030DF150	54735	PA5030NF150	54752					
32	2.005	1.960			1-1/4			2-1/8		PA5032DF150	54736	PA5032NF150	54753					
34	2.130	2.085			1-3/8			2-1/4		PA5034DF150	54737	PA5034NF150	54754					
36	2.256	2.211			—			—		—	—	—	—	PA5036NF150	54755			
38	2.381	2.336			—			—		—	—	—	—	PA5038NF150	54756			
40	2.506	2.461			—			—		—	—	—	—	PA5040NF150	54757			
44	2.757	2.712			—			—		—	—	—	—	PA5044NF150	54758			
48	3.008	2.963			—			—		1-1/2	13/32	1-3/16	—	—	PA5048NF150	54759		
50	3.133	3.088			.375			25/32		—	13/32	1-3/16	—	#10-32	—	—	PA5050NF150	54760
56	3.509	3.464								—			—		—	—	—	—
60	3.760	3.715	—	—		—	—		—	—			—		—	PA5060NF150	54762	
62	3.885	3.840	—	—		—	—		—	—			—		—	PA5062NF150	54763	
72	4.511	4.466	—	—		—	—		—	—			—		—	PA5072NF150	54764	

\*Pulleys with 12 and 13 grooves have one setscrew. All others have two at 90°.  
†44-72 grooves material is A356-T6 (cast).

# TIMING BELT PULLEYS

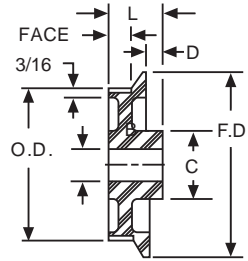
**5mm PITCH  
LEXAN**

**PL SERIES  
FOR 9mm WIDE BELTS**

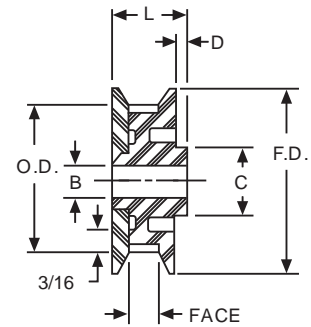


**LEXAN—FIBERGLASS REINFORCED**

**SINGLE FLANGE**



**DOUBLE FLANGE**



**STANDARD TOLERANCES**

DIMENSION	TOLERANCES
BORE	All +.001 - .000

ALL DIMENSIONS IN INCHES  
ORDER BY CATALOG NUMBER OR ITEM CODE

No. of Grooves	Pitch Dia.	O.D.	B	Face Width	C	D	L	Flange Dia.	Single Flange		Double Flange	
									Catalog Number	Item Code	Catalog Number	Item Code
11	.689	.644	3/16	7/16	11/16	1/4	13/16	.87	PL5011SF090	54765	PL5011DF090	54782
12	.752	.707						.93	PL5012SF090	54766	PL5012DF090	54783
13	.815	.770						.99	PL5013SF090	54767	PL5013DF090	54784
14	.877	.832	1/4	7/8	3/4	1/4	13/16	1.06	PL5014SF090	54768	PL5014DF090	54785
15	.940	.895						1.19	PL5015SF090	54769	PL5015DF090	54786
16	1.003	.958						1.19	PL5016SF090	54770	PL5016DF090	54787
17	1.065	1.020						1.24	PL5017SF090	54771	PL5017DF090	54788
18	1.128	1.083						1.31	PL5018SF090	54772	PL5018DF090	54789
19	1.191	1.146						1.38	PL5019SF090	54773	PL5019DF090	54790
20	1.253	1.208	5/16	7/8	7/8	5/16	13/16*	1.44	PL5020SF090	54774	PL5020DF090	54791
22	1.379	1.334						1.57	PL5022SF090	54775	PL5022DF090	54792
25	1.566	1.521						1.76	PL5025SF090	54776	PL5025DF090	54793
28	1.754	1.709						1.95	PL5028SF090	54777	PL5028DF090	54794
29	1.817	1.772						2.02	PL5029SF090	54778	PL5029DF090	54795
30	1.880	1.835						2.08	PL5030SF090	54779	PL5030DF090	54796
40	2.506	2.461	5/16	7/8	7/8	5/16	13/16*	2.71	PL5040SF090	54780	PL5050DF090	54797
50	3.133	3.088						3.29	PL5050SF090	54781	PL5050DF090	54798

\*7/8" for Double Flange.

# TIMING BELT PULLEYS

**5mm PITCH  
LEXAN**

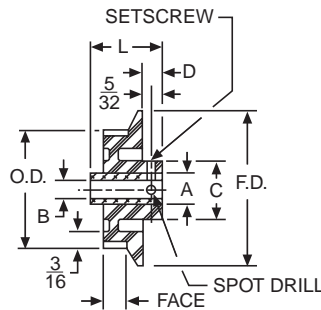
**PLB SERIES  
FOR 9mm WIDE BELTS**

**LEXAN—FIBERGLASS REINFORCED  
KNURLED ALUMINUM INSERTS  
COMPLETE WITH SETSCREWS**

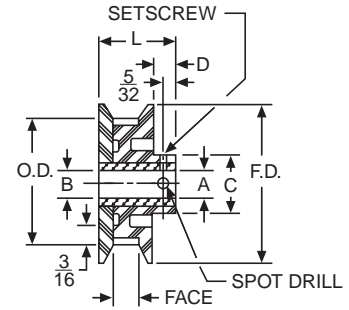
**STANDARD TOLERANCES**

DIMENSION		TOLERANCES
BORE	All	+ .001 - .000

**SINGLE FLANGE**



**DOUBLE FLANGE**



No. of Grooves	Pitch Dia.	O.D.	B	Face Width	C	D	Insert Dia.	L	Flange Dia.	Setscrew	Single Flange		Double Flange													
											Catalog Number	Item Code	Catalog Number	Item Code												
11	.689	.644	3/16 1/4	11/16	3/8				.87	#6-32	PLB5011SF090-3/16	54799	PLB5011DF090-3/16	54846												
																	PLB5011SF090-1/4	54800	PLB5011DF090-1/4	54847						
12	.752	.707	3/16 1/4												.93		PLB5012SF090-3/16	54801	PLB5012DF090-3/16	54848						
																	PLB5012SF090-1/4	54802	PLB5012DF090-1/4	54849						
13	.815	.770	3/16 1/4												.99		PLB5013SF090-3/16	54803	PLB5013DF090-3/16	54850						
																	PLB5013SF090-1/4	54804	PLB5013DF090-1/4	54851						
14	.877	.832	3/16 1/4												1.06		PLB5014SF090-3/16	54805	PLB5014DF090-3/16	54852						
																	PLB5014SF090-1/4	54806	PLB5014DF090-1/4	54853						
15	.940	.895	5/16 3/8 1/4						3/4						1.19	#8-32	PLB5015SF090-1/4	54807	PLB5015DF090-1/4	54854						
																							PLB5015SF090-5/16	54808	PLB5015DF090-5/16	54855
																	PLB5015SF090-3/8	54809	PLB5015DF090-3/8	54856						
16	1.003	.958	5/16 3/8 1/4							1.19							PLB5016SF090-1/4	54810	PLB5016DF090-1/4	54857						
																	PLB5016SF090-5/16	54811	PLB5016DF090-5/16	54858						
																	PLB5016SF090-3/8	54812	PLB5016DF090-3/8	54859						
17	1.065	1.020	5/16 3/8 1/4							1.24							PLB5017SF090-1/4	54813	PLB5017DF090-1/4	54860						
																	PLB5017SF090-5/16	54814	PLB5017DF090-5/16	54861						
																	PLB5017SF090-3/8	54815	PLB5017DF090-3/8	54862						
18	1.128	1.083	5/16 3/8 1/4	7/16	1/2					1.31					#8-32		PLB5018SF090-1/4	54816	PLB5018DF090-1/4	54863						
																	PLB5018SF090-5/16	54817	PLB5018DF090-5/16	54864						
																	PLB5018SF090-3/8	54818	PLB5018DF090-3/8	54865						
19	1.191	1.146	5/16 3/8 1/4								1/4	13/16		1.38		#8-32	PLB5019SF090-1/4	54819	PLB5019DF090-1/4	54866						
																				PLB5019SF090-5/16	54820	PLB5019DF090-5/16	54867			
																				PLB5019SF090-3/8	54821	PLB5019DF090-3/8	54868			
20	1.253	1.208	5/16 3/8 1/4															1.44		PLB5020SF090-1/4	54822	PLB5020DF090-1/4	54869			
																				PLB5020SF090-5/16	54823	PLB5020DF090-5/16	54870			
																				PLB5020SF090-3/8	54824	PLB5020DF090-3/8	54871			
22	1.379	1.334	5/16 3/8 1/4						7/8									1.57	#8-32	PLB5022SF090-1/4	54825	PLB5022DF090-1/4	54872			
																				PLB5022SF090-5/16	54826	PLB5022DF090-5/16	54873			
																				PLB5022SF090-3/8	54827	PLB5022DF090-3/8	54874			
25	1.566	1.521	5/16 3/8 1/4												1.76					PLB5025SF090-1/4	54828	PLB5025DF090-1/4	54875			
															PLB5025SF090-5/16	54829		PLB5025DF090-5/16		54876						
															PLB5025SF090-3/8	54830		PLB5025DF090-3/8		54877						
28	1.754	1.709	5/16 3/8 1/4									1.95			PLB5028SF090-1/4	54831		PLB5028DF090-1/4		54878						
															PLB5028SF090-5/16	54832		PLB5028DF090-5/16		54879						
															PLB5028SF090-3/8	54833		PLB5028DF090-3/8		54880						
29	1.817	1.772	5/16 3/8 1/4	7/8								2.02	#8-32		PLB5029SF090-1/4	54834		PLB5029DF090-1/4		54881						
																	PLB5029SF090-5/16	54835	PLB5029DF090-5/16	54882						
																	PLB5029SF090-1/4	54836	PLB5029DF090-1/4	54883						
30	1.880	1.835	5/16 3/8 1/4												2.08		PLB5030SF090-1/4	54837	PLB5030DF090-1/4	54884						
																	PLB5030SF090-5/16	54838	PLB5030DF090-5/16	54885						
																	PLB5030SF090-3/8	54839	PLB5030DF090-3/8	54886						
40	2.506	2.461	5/16 3/8 1/2						7/8	5/16	5/8	13/16*			2.71	#10-32	PLB5040SF090-5/16	54840	PLB5040DF090-5/16	54887						
																							PLB5040SF090-3/8	54841	PLB5040DF090-3/8	54888
																							PLB5040SF090-1/2	54842	PLB5040DF090-1/2	54889
50	3.133	3.088	5/16 3/8 1/2																		3.29		PLB5050SF090-5/16	54843	PLB5050DF090-5/16	54890
																	PLB5050SF090-3/8	54844	PLB5050DF090-3/8	54891						
											PLB5050SF090-1/2	54845	PLB5050DF090-1/2	54892												

\*7/8" for Double Flange.